

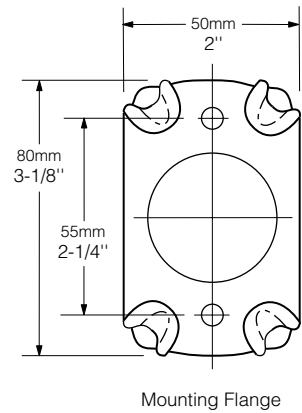
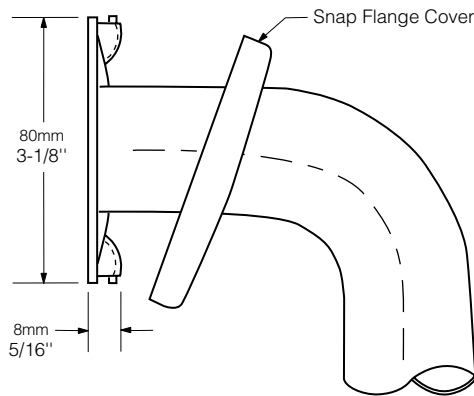
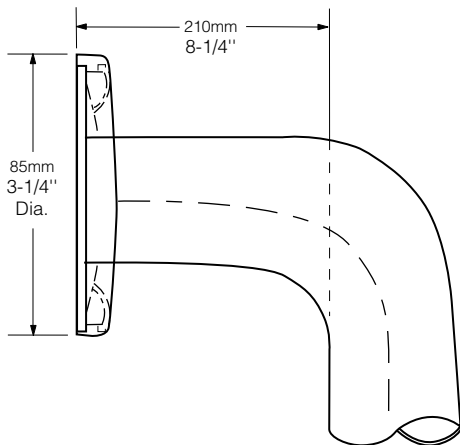
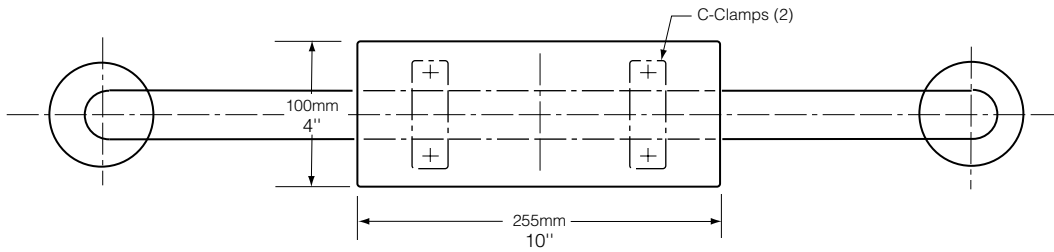
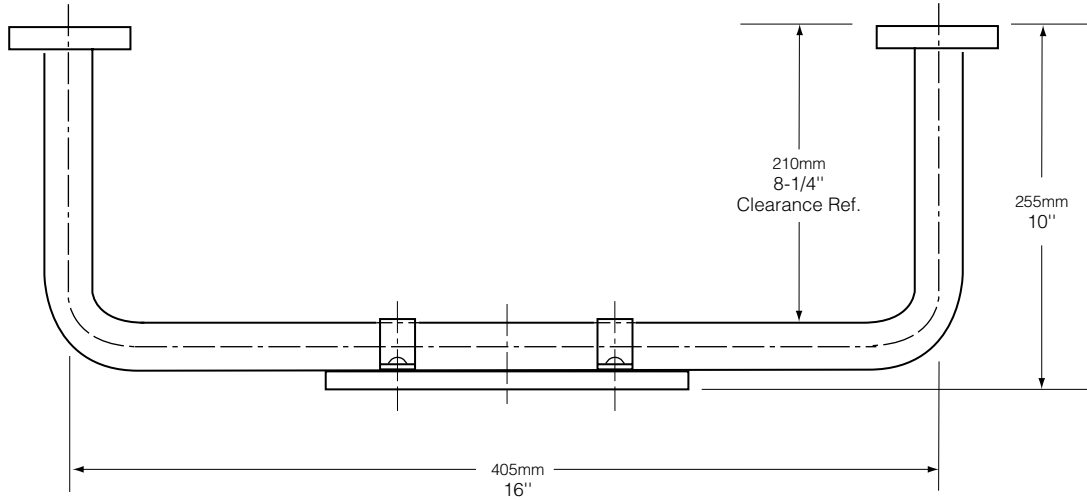


Technical Data

32mm (1¼") DIAMETER STAINLESS STEEL GRAB BAR WITH BACK REST

B-5891

Specify Finish Required: Model B-5891 Satin finish
 Model B-5891.99 Satin finish with peened gripping surface



continued . . .

MATERIALS:

Grab Bar — 18-8 S, type-304, 1.2mm (18-gauge) stainless steel tubing with satin finish. 30mm (1-1/4") outside diameter. Ends are heliarc welded to concealed mounting flanges.

Concealed Mounting Flanges — 18-8 S, type-304, 3mm (1/8") thick stainless steel plate. 50 x 80mm (2" x 3-1/8") with two holes for attachment to wall.

Snap Flange Covers — 18-8 S, type-304, 0.8mm (22-gauge) drawn stainless steel with satin finish. 85mm (3-1/4") diameter x 1/2" (13mm) deep. Each cover snaps over mounting flange to conceal mounting screws.

Backrest — 6.4mm (1/2") thick solid phenolic with matte-finish melamine surfaces, white colored face sheets, and black core; polished black edges. Secured to grab bar with 18-8 S, type-304, 1.2mm (18-gauge) stainless steel C-clamps.

INSTALLATION:

Warning: *Grab bars are no stronger than the anchors or walls to which they are attached and, therefore, must be firmly secured in order to support the loads for which they are intended*

Provide concealed anchor device or backing as specified or required in accordance with local building codes before wall is finished. Fasten concealed mounting flanges to anchor device or backing with two screws in each flange. Snap flange covers over each mounting flange to conceal mounting screws. Concealed anchor devices and mounting screws are not included with Bobrick grab bars and must be specified as an accessory.

Important Notes:

1. **Concealed Anchor Devices** — Bobrick has a complete selection of grab bar anchor devices available for all types of installations. All Bobrick concealed anchor devices include stainless steel machine screws to be used for attaching grab bars to anchors.

Concealed Anchor No.	Type of Installation
2562 Series	Anchor plate for stud wall construction.
2573	Anchor for solid wall construction; 1 anchor required for each flange.
2582	Anchor for installation of grab bar through toilet partition; 1 anchor required for each flange.
2592	Anchor for back-to-back installation of 2 grab bars for each through toilet partition; 1 anchor required pair of flanges.

2. **Mounting Kits** — Bobrick has a selection of mounting screws and fasteners available for different types of installations; **one Bobrick mounting kit is required for each flange.**

Mounting Kit No.	Description
252-30	Consists of (3) M6 x 64mm (No. 14 x 2½") type-304 stainless steel, Phillips round-head, sheet-metal screws.
2521-30	Consists of (3) M6-1 x 89mm (1/4"-20 x 3½") type-304 stainless steel, Phillips round-head, machine screws with plated-steel toggle nuts.
2522-30	Consists of (3) M6-1 x 51mm (1/4"-20 x 2") type-304 stainless steel, Phillips round-head, machine screws with metal expansion shields.

SPECIFICATION:

Grab bar shall be type-304 stainless steel with satin finish. Grab bar shall have 1.2mm (18-gauge) wall thickness and 30mm (1-1/4") outside diameter. Clearance between the grab bar and wall shall be 210mm (8-1/4"). Concealed mounting flanges shall be 3mm (1/8") thick stainless steel plate, 50 x 80mm (2" x 3-1/8"), and equipped with two screw holes for attachment to wall. Flange covers shall be 0.8mm (22-gauge) stainless steel, 85mm (3-1/4") diameter, and shall snap over mounting flanges to conceal mounting screws. Ends of grab bar shall pass through concealed mounting flanges and be heliarc welded to form one structural unit. Grab bar shall be equipped with a 255 x 100 x 13mm (10" x 4" x 1-1/2") white solid phenolic backrest. Manufacturer's service and parts manual shall be provided to the building owner/manager upon completion of project.

Grab Bar With Backrest shall be Model _____ (insert model number) of Bobrick Washroom Equipment, Inc., Clifton Park, New York; Jackson, Tennessee; and Los Angeles, California; Bobrick Washroom Equipment of Canada Ltd., Scarborough, Ontario; Bobrick Washroom Equipment Pty. Ltd., Australia; and Bobrick Washroom Equipment Limited, United Kingdom.