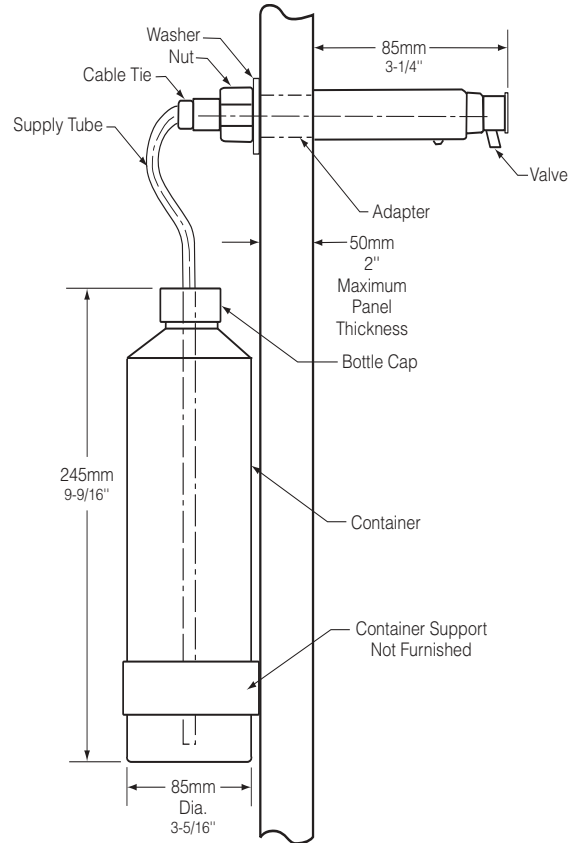




Technical Data

PANEL-MOUNTED SOAP DISPENSER

B-8601



MATERIALS:

Valve — Chrome-plated brass cylinder. Stainless steel spring. U-packing seal and duckbill. Corrosion-resistant to most soaps and detergents. Equipped with nut, washer, cable tie, supply tube, and PVC mounting adapter.

Container — Translucent, shatter-resistant polyethylene. Capacity: 1,0 L (34 fl oz).

OPERATION:

Push-in valve dispenses vegetable-oil liquid soaps, viscous lotion soaps, and synthetic detergents. Valve is operable with one hand, without tight grasping, pinching, or twisting of the wrist, and with less than 22,2 N (5 lbf) to comply with barrier-free accessibility guidelines.

INSTALLATION:

Valve is designed for installation through 18mm (23/32") diameter hole in 32 to 50mm (1-1/4" to 2") thick panel.

SPECIFICATIONS:

Soap valve shall dispense vegetable-oil liquid soaps, viscous lotion soaps, and synthetic detergents. Valve shall be operable with one hand and with less than 22,2 N (5 lbf). Valve shall be equipped with chrome-plated brass cylinder, stainless steel spring, U-packing seal, and duckbill. Adapter shall accommodate mounting thicknesses up to 50mm (2"). Translucent, shatter-resistant polyethylene container shall have a capacity of 1,0 L (34 fl oz). Manufacturer's service and parts manual shall be provided to the building owner/manager upon completion of project.

Panel-Mounted Soap dispenser shall be Model B-8601 of Bobrick Washroom Equipment, Inc., Clifton Park, New York; Bobrick Washroom Equipment Bobrick; Jackson, Tennessee; Los Angeles, California; Bobrick Washroom Equipment Pty. Ltd., Australia; and Bobrick Washroom Equipment Limited, United Kingdom.