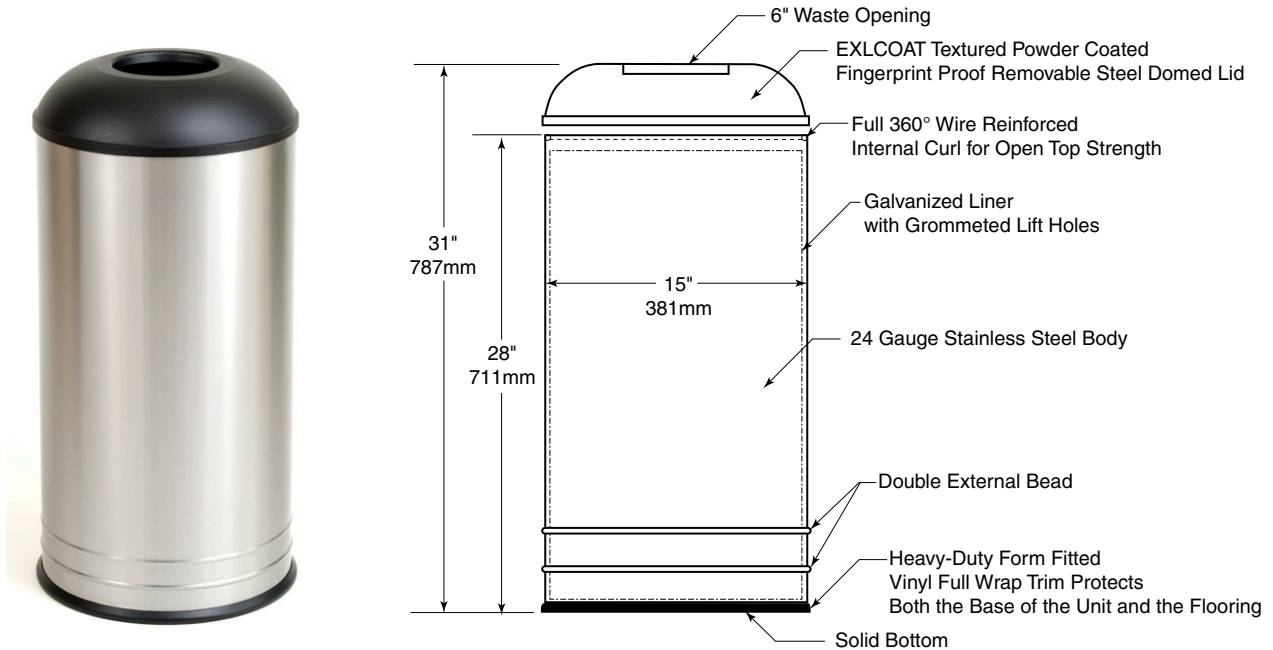




Technical Data

FLOOR-STANDING DOME-LID WASTE RECEPTACLE

B-2300



MATERIALS:

Waste Receptacle — Floor-standing cylinder with solid bottom. Exposed surface has satin-finish.

Dome-Lid — Black powder coated steel 15" (381mm) diameter, 22 gauge (0.8mm) with 6" (150mm) diameter opening.

Waste Container — Galvanized steel with grommeted lift holes. Removable for servicing. Capacity: 18-gal. (68.1-L).

OPERATION:

Dome lid lifts off waste receptacle for servicing. Wide opening provides hygienic, no-touch waste disposal.

Designer's Note: This unit is not suitable for outside use.

SPECIFICATION:

Floor-standing waste receptacle shall be stainless steel with satin-finish. Waste receptacle shall have a solid bottom with a heavy-duty form fitted vinyl full wrap trim, a double external bead and a removable black steel dome-lid. Dome-lid shall have a 6" (150mm) diameter opening. Unit shall be furnished with a removable, galvanized-steel waste container that has a capacity of 18-gal. (68.1-L). Manufacturer's service and parts manual shall be provided to the building owner/manager upon request.

Floor-Standing Dome-Lid Waste Receptacle shall be Model B-2300 of Bobrick Washroom Equipment, Inc., Clifton Park, New York; Jackson, Tennessee; Los Angeles, California; Bobrick Washroom Equipment Company, Scarborough, Ontario; Bobrick Washroom Equipment Pty. Ltd., Australia; and Bobrick Washroom Equipment Limited, United Kingdom.