

Concealed
cam-action
door closer system

DORMA ITS 96

Uncompromising technical sophistication

The DORMA ITS 96 has ushered in a new era in door closer technology. The closer body and slide channel are so compact that they can be installed out of sight in doors and their frames. These devices offer the same high quality expected of DORMA door closers, as characterised by their ease of operation for the user, and wide range of functions. Thanks to the exceptionally

slender dimensions of the unit, the DORMA ITS 96 can be installed in virtually all doors with thicknesses of 40 mm or more, and offers all the advantages of quality assured manufacture with third-party auditing.

Certified to ISO 9001.

Plus points

For the trade

- Low inventory costs and reduced stocking requirements thanks to streamlined modular system and separate packaging of closer body and slide channel assemblies.
- Tailor-made applications with special accessories.

For the installer

- Non-handed system.
- Can be incorporated within the door pre-fabrication process, allowing complete installation in the factory.
- Easy adjustment of the closing strength, closing speed and latch action after hanging of the doors.

For the specifier/architect

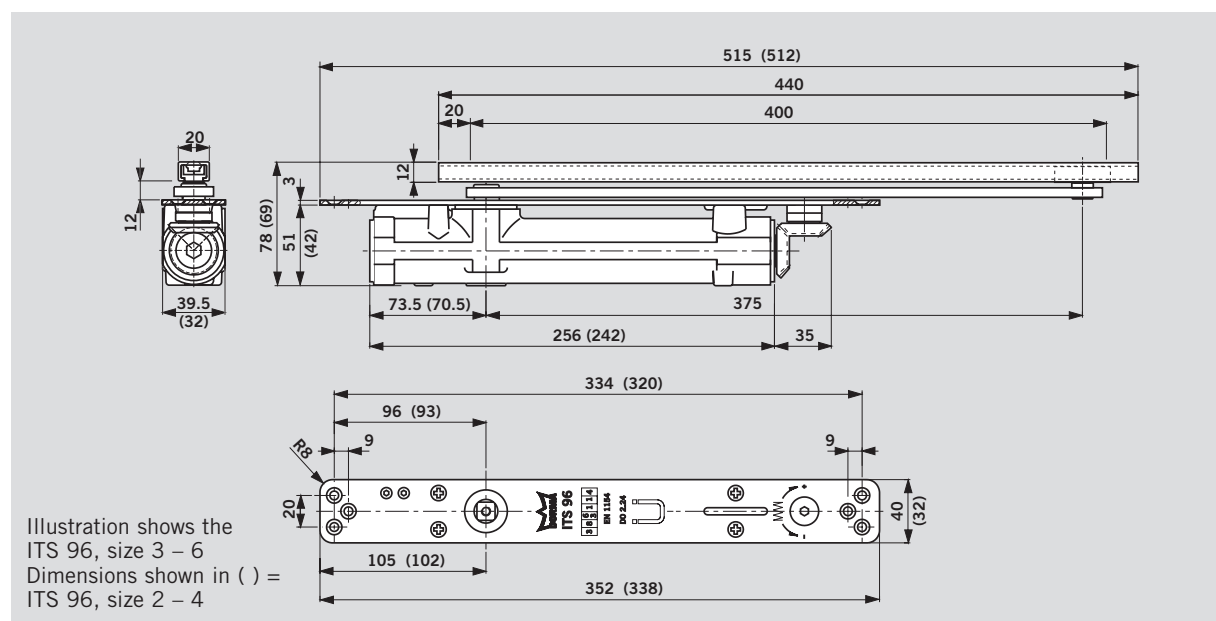
- Unblemished appearance of prestige doors thanks to concealed installation.
- Ideal for doors integral to the interior design.

For the user

- Optimum protection against vandalism thanks to the concealed installation.
- Enhanced user convenience and fully controlled, reliable closing with adjustable latch action.
- Cushioned limit stay with progressive damping for protection of wall and door.

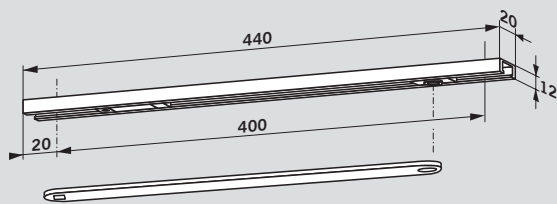
Data and features		ITS 96	
Variable closing force	Spring strength	EN 2-4	EN 3-6
Standard doors	up to 1100 mm up to 1400 mm	● –	● ●
External doors, outward opening		–	–
Fire and smoke check doors	up to 1100 mm up to 1400 mm	● –	● ●
Door leaf thickness	equal to/greater than 40 mm equal to/greater than 50 mm	● ●	– ●
Max. door leaf weight in kg		100	180
Non-handed design		●	●
Arm	Slide channel	●	●
Closing force variable by means of adjustable screw		●	●
Closing speed adjustable by means of valve		●	●
Latching speed adjustable by means of valve		●	●
Cushioned limit stay, mechanical		●	●
Delayed action		–	–
Hold-open		○	○
Max. door opening angle (depends on door design)		approx. 120°	
Weight in kg		1.3	2.5
Dimensions in mm	Length Width Height	277 32 42	291 39.5 51
Door closer tested to EN 1154		●	●
CE mark for building products		●	●

● Yes – No ○ Option

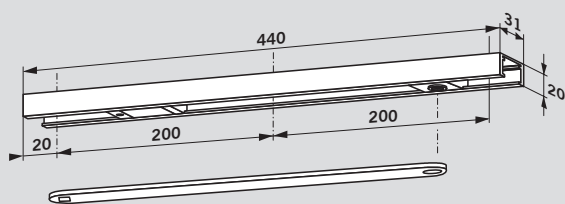


Slide channels

G 96 N20



G 96 N

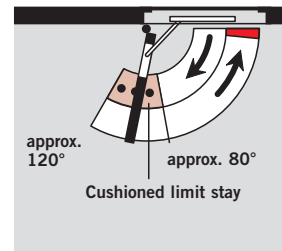


The **DORMA G 96 N20** resp. **G 96 N** slide channel pack includes the arm, slide channel, slide block, cushioned limit stay and fixing screws, and can be combined with both door closer sizes in the DORMA ITS 96 range. The slide channel is non-handed.

F Approval certification

The G 96 N20 and G 96 N slide channel is tested to EN 1154 A in conjunction with the DORMA ITS 96. Additionally, it has CERTIFIRE approval for use on timber FD30 and FD60 doors (code ITT), when installed with

the approved intumescent gasket set for FD30 or FD60 supplied by DORMA UK. The length, width and high of mortice for the slide channel must be increased by 2 mm to accommodate the gasket.

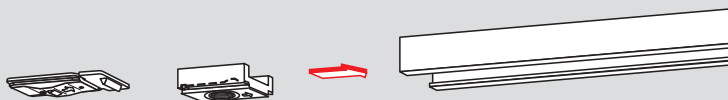


Hold-open units

RF G 96 N20



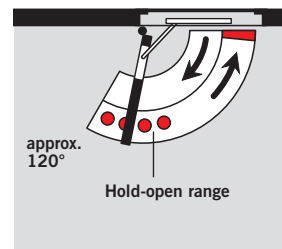
RF G 96 N

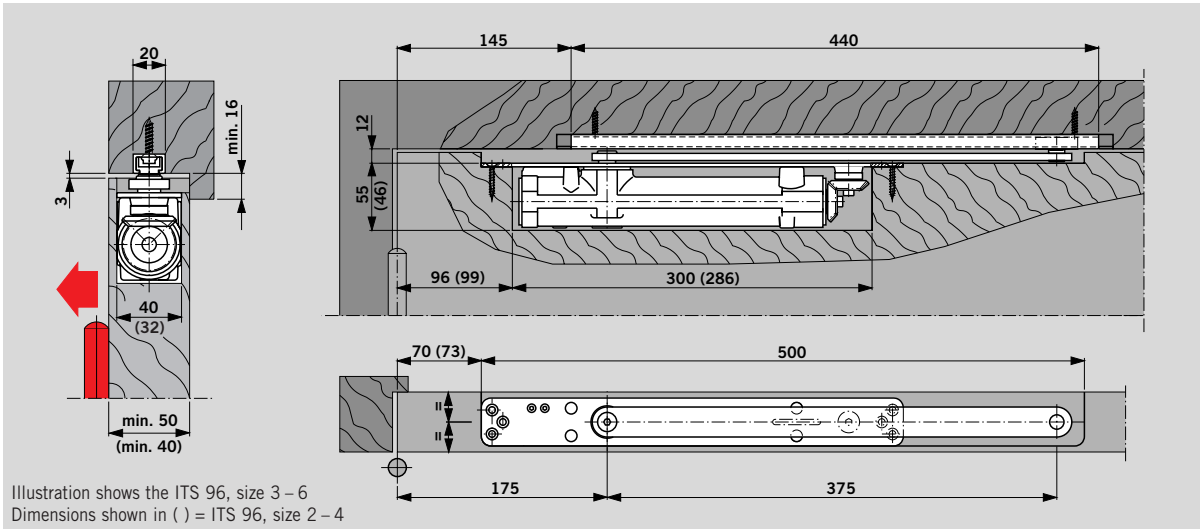


The **DORMA RF** hold-open unit enables doors to be securely held without any fall-back at precisely the required position up to an opening angle of approx. 120°. The hold-open function can be easily switched on and off by the user (only RF G 96 N), and the release force can be adjusted to the door type concerned.

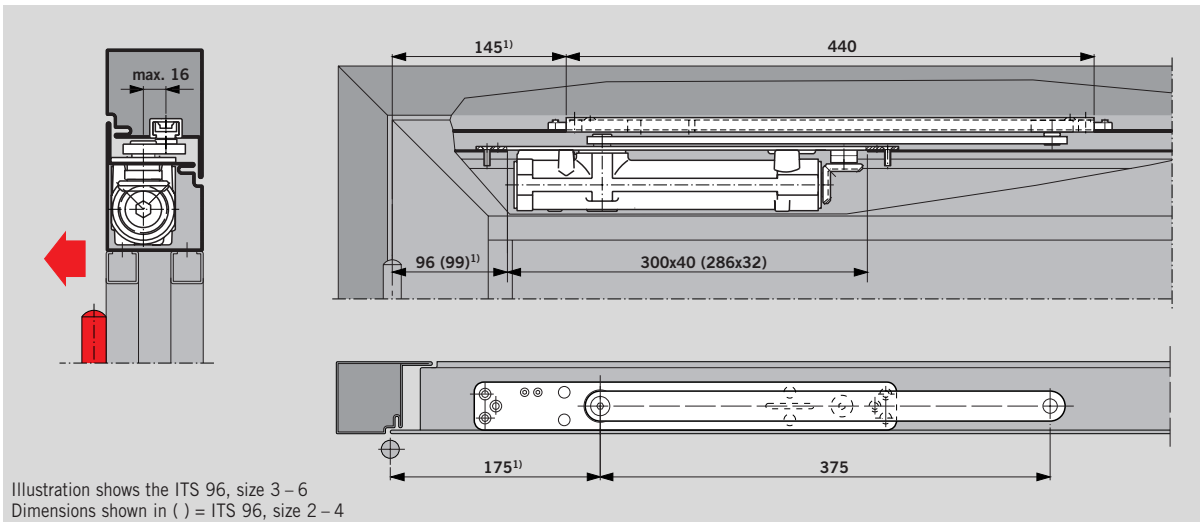
The DORMA RF mechanism is non-handed and has been specifically designed for retrofitting to the G 96 N slide channel.

Not for fire and smoke check doors.

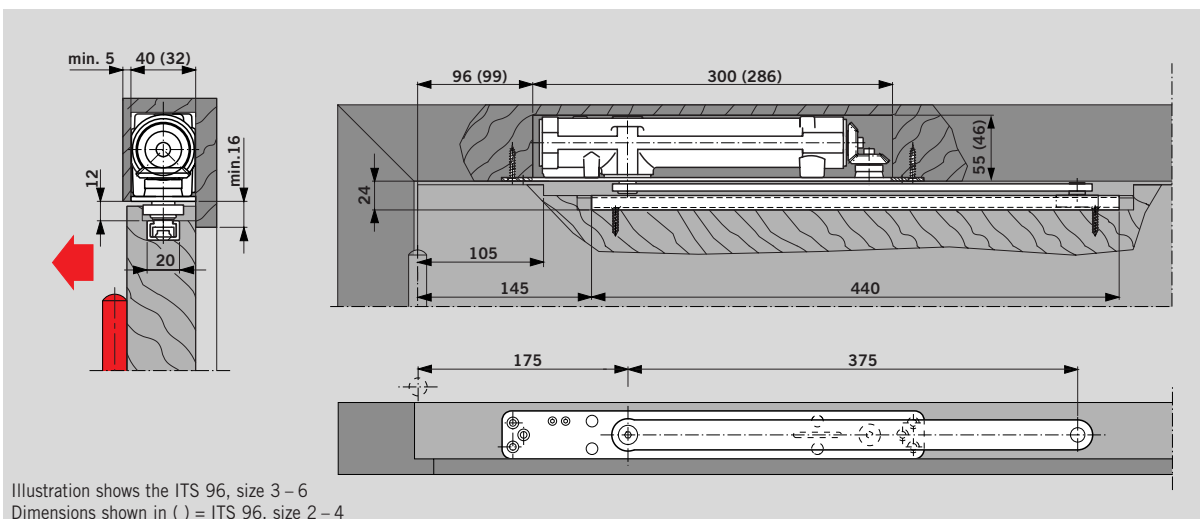




DORMA ITS 96 door closer with DORMA G 96 N20 slide channel in a **timber door**
Example: Anticlockwise-closing (ISO 6) door; mirror image applies to clockwise-closing (ISO 5) doors.



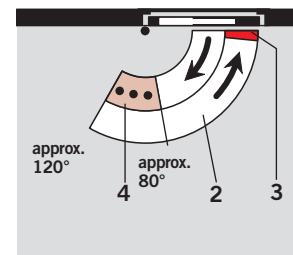
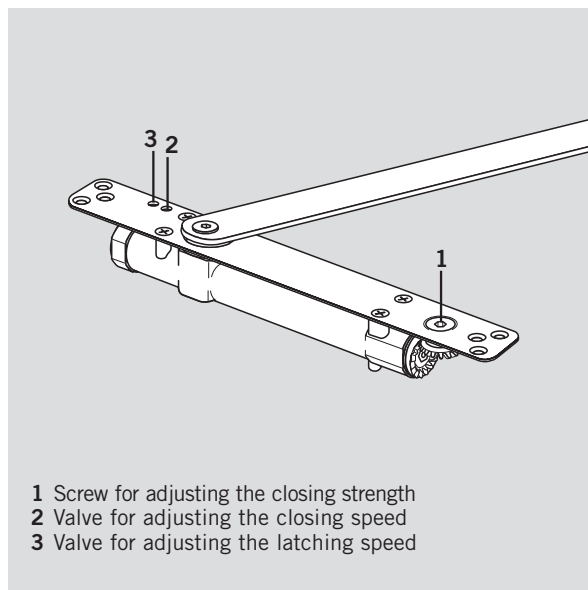
DORMA ITS 96 door closer with DORMA G 96 N20 slide channel in an **aluminium framed door**
Example: Anticlockwise-closing (ISO 6) door; mirror image applies to clockwise-closing (ISO 5) doors.
1) Add 25 mm for aluminium profile frames with corner-angle reinforcement.



DORMA ITS 96 door closer with DORMA G 96 N20 slide channel in a **timber door-transom fixing**
Example: Anticlockwise-closing (ISO 6) door; mirror image applies to clockwise-closing (ISO 5) doors.

Adjustment of settings

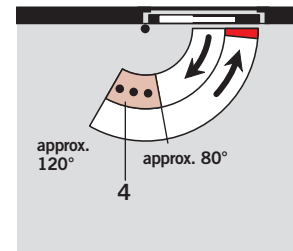
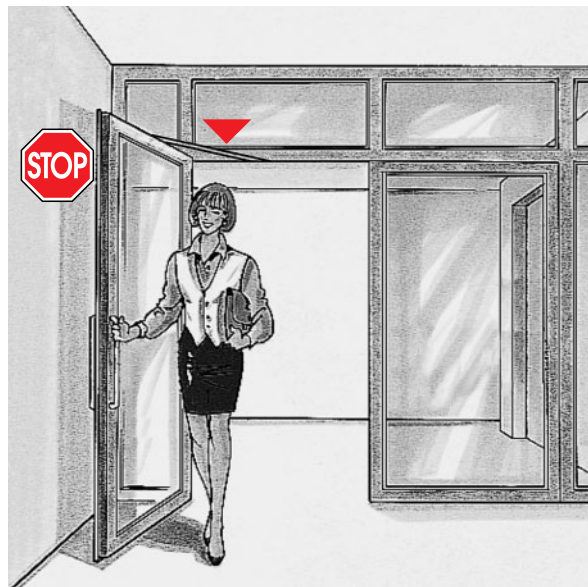
The functions of the DORMA ITS 96 can be individually adapted to the local conditions of each application. The closing strength can be easily varied in accordance with the door width via the adjustment screw accessible from the top. The closing speed and the latch action can likewise be modified at any time using adjustment screws at the top, even after the door has been hung.



- 2 Fully controlled closing with adjustable speed
- 3 Adjustable latch action
- 4 Cushioned limit stay

Cushioned limit stay

The integrated mechanically cushioned limit stay of the DORMA ITS 96 is progressively damped to protect the wall and doors from the damage arising from the door being opened too wide (under conditions of normal usage). It can be adjusted to an opening angle between approx. 80° and max. 120°. **The cushioned limit stay feature is not an overload protection device and in many cases cannot replace a doorstop.**




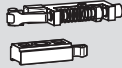
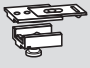
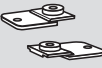

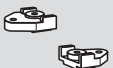

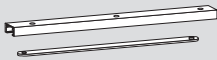
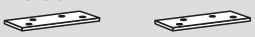
- 4 Cushioned limit stay

F Approval certification

The DORMA ITS 96 is approved by the State Material Testing Authority, Dortmund, in accordance with EN 1154 A. Additionally, the model size EN 2 – 4 and EN 3 – 6 has CERTIFIRE approval for use on timber FD30 and FD60 doors (code ITT), when installed with the approved intumescent gasket set for FD30 or FD60 supplied by DORMA UK. The length, width and height of mortice for the body and slide channel must be increased by 2 mm to accommodate the gasket.



Standard equipment and accessories

	ITS 96	RF Hold-open open unit for G 96 N20	RF Hold- open unit for G 96 N	Fixings for G 96 N on timber doors	Fixings for G 96 N on aluminium doors	Fixings for G 96 N20 on aluminium doors
	 EN 2 – 4 <input checked="" type="checkbox"/> 52430150 EN 3 – 6 <input checked="" type="checkbox"/> 52290150	 52005600	 52003600	 52000105	 52000205	 52000405
G 96 N20  <input type="checkbox"/> 520039xx ¹⁾	<input checked="" type="checkbox"/>	#				#
G 96 N  <input type="checkbox"/> 52000501	<input checked="" type="checkbox"/>		#	#	#	
Fixing plates for ITS 96  52000300	#					

- = Closer body separate
 = Slide channel separate
 # = Optional accessory

Colour¹⁾	xx	Polished brass	15
silver	01	special colour	09
Stainless steel			
“Design” finish	17	¹⁾ only arm	

Specification text

Cam-action door closer integrated in the door leaf or frame, tested to EN 1154 A, with rapidly decreasing opening torque/force. Closing strength, closing speed and latch action adjustable. Non-handed.

Size

- EN 2-4
 EN 3-6

Slide channel

- G 96 N20
 G 96 N

Accessories

- Fixing plates
 Hold-open unit
 RF G 96 N20
 RF G 96 N
 Fixings for
 G 96 _____

Make DORMA ITS 96

- ITS 96/2-4
 ITS 96/3-6

Division Door Control worldwide
www.dorma.com
Central Europe

DORMA GmbH + Co. KG
Breckfelder Str. 42-48
D-58256 Ennepetal
Tel. +49 2333 793-0
Fax +49 2333 793-495

Australia

DORMA Door Controls Pty. Ltd.
46-52, Abbott Road
Hallam/Victoria 3803
Australia
Tel. +61 3979 63555
Fax +61 3979 63955

China/Hong Kong

DORMA Door Controls
(Suzhou) Co. Ltd.
No. 9, Hong Feng Road
Suzhou Singapore Industrial Park
Suzhou, 215021
P.R. of China
Tel. +86 512 67612481
Fax +86 512 67614582

DORMA Door Controls Pte. Ltd.
Room 701, Technology Plaza
651 King's Road
North Point
Hong Kong
Tel. +852 25034632
Fax +852 28875370

Emerging Markets

DORMA GmbH + Co. KG
Breckfelder Str. 42-48
D-58256 Ennepetal
Tel. +49 2333 793-0
Fax +49 2333 793-495

DORMA Door Controls (Pty.) Ltd.

Kings Court
4A Mineral Crescent
ZA-2000 Crown/Gauteng
South Africa
Tel. +27 11 8300280
Fax +27 11 8300291

Far East

DORMA Far East Pte. Ltd.
No. 31 Gul Lane
Singapore 629425
Tel. +65 6268 7633
Fax +65 6265 7995

France

DORMA France S.A.S.
Europarc
42, rue Eugène Dupuis
F-94046 Créteil
Tel. +33 1 41942400
Fax +33 1 41942401

Gulf

DORMA Gulf Door Controls FZE
Jebel Ali Free Zone South
Plot No. S 20135
Road No. SW 301 G
P.O. Box 17268
Dubai – United Arab Emirates
Tel. +971 4 8020400
Fax +971 4 8869100/8869101

North America

DORMA Architectural Hardware
DORMA Drive, Drawer AC
Reamstown, PA 17567-0411
Tel. +1 800 5238483
Fax +1 800 2749724

Scanbalt

DORMA Danmark A/S
Sindalvej 6-8
DK-2610 Rødovre
Tel. +45 44 543000
Fax +45 44 543001

South America

DORMA Sistemas de Controles
para Portas Ltda.
Av. Piracema, 1400
Centro Empresarial Tambore
CEP 06400-933 Barueri/
São Paulo, Brasil
Tel. +55 11 46899280
Fax +55 11 46899215

South-East Europe

DORMA AUSTRIA GmbH
Pebering Strass 22
A-5301 Eugendorf
Tel. +43 6225 284880
Fax +43 6225 28491

South Europe

DORMA Italiana S.r.l.
Via. Canova 44/46
I-20035 Lissone (MI)
Tel. +39 039 244031
Fax +39 039 24403310

DORMA Ibérica, S.A.
Camino San Martin de la Vega, 4
E-28500 Arganda del Rey
(Madrid)

Tel. +34 91 8757850
Fax +34 91 8757881

UK/Ireland

DORMA UK Ltd.
Wilbury Way
Hitchin
GB-Hertfordshire SG4 0AB
Great Britain
Tel. +44 1462 477600
Fax +44 1462 477601



4 021226 1284308