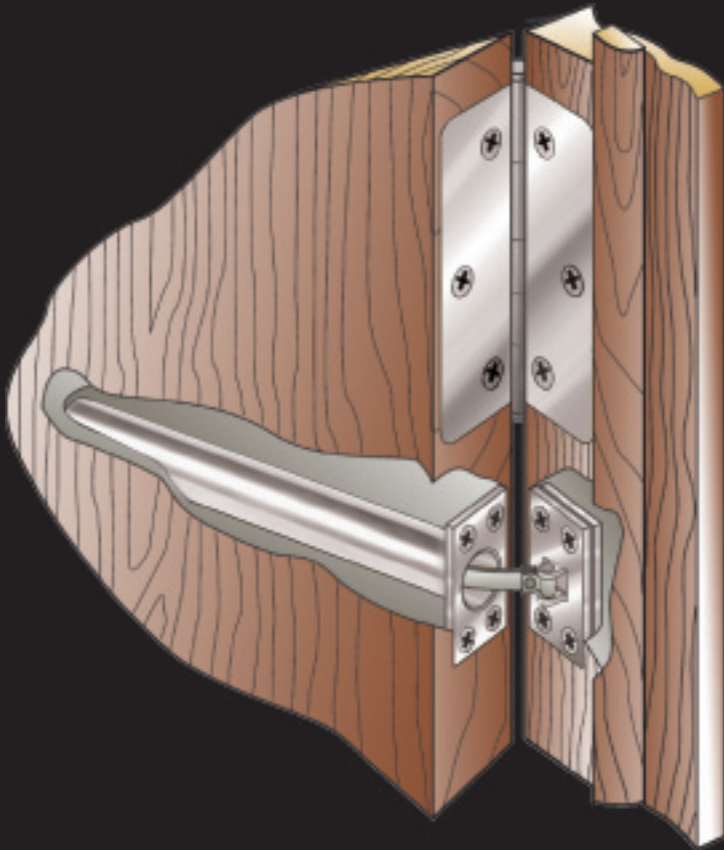


10000 series



astra[®]

CONCEALED DOOR CLOSERS

1001 INVISIBLE DOOR CLOSER STANDARD STRENGTH

1002 INVISIBLE DOOR CLOSER HIGH STRENGTH

astra® 1001 1002

CONCEALED DOOR CLOSERS

Manufactured in the UK to European Standard EN1634 part 1 and suitable for use with both 1/2 hour and 1 hour fire doors. These door closers incorporate a quality spring and a unique hydraulic piston assembly offering a controlled rate of door closure together with an adjustable latching action.

Performance / Testing

Tested and proved suitable for use on a 1/2 hour and 1 hour fire door.

Test conducted in accordance with EN1634 part 1 by CHILTERN INTERNATIONAL FIRE LTD, test report: CHILT/RF06118
Continuous in-house testing up to 500,000 cycles.

The **1001** is suitable for use on a **50kg (110lb)** door with a maximum opening angle of 100°.

The **1002** is suitable for use on a **68kg (150lb)** door with a maximum opening angle of 100°.

The Concealed Hydraulic Door Closer is listed by Underwriters Laboratories Inc. in the U.S. and is suitable for use with a 110lb fire door and bears the mark.



The Concealed Hydraulic Door Closer has been investigated to Canadian National Standard CAN/ULC 5133 - M90 and bears the mark.

Features

Non-handed, suitable for use on either right or left hand doors.
Available in Brass, Chrome or Satin finish.
Square or Radius plates.
10 Year Guarantee.



AST1001BFS
AST1002BFS
BRASS FINISH,
SQUARE PLATES



AST1001CFS
AST1002CFS
CHROME FINISH,
SQUARE PLATES



AST1001SFS
AST1002SFS
SATIN FINISH,
SQUARE PLATES



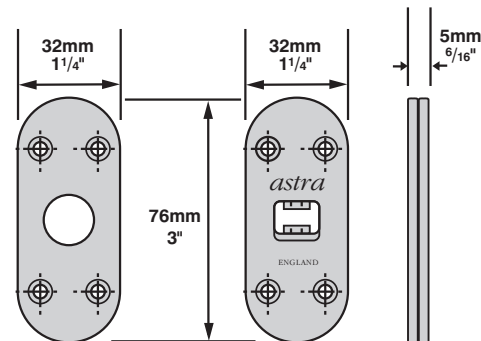
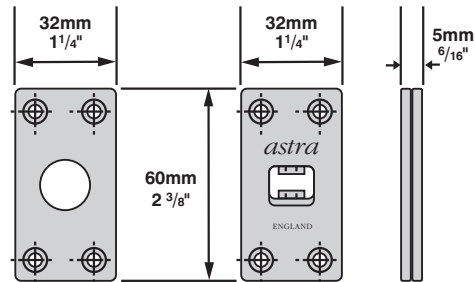
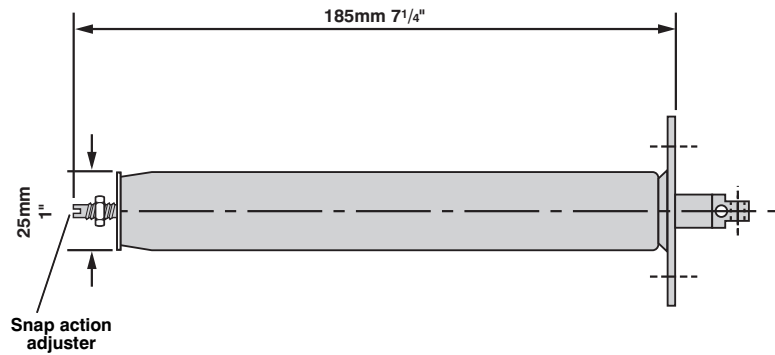
AST1001BFR
AST1002BFR
BRASS FINISH,
RADIUS PLATES



AST1001CFR
AST1002CFR
CHROME FINISH,
RADIUS PLATES



AST1001SFR
AST1002SFR
SATIN FINISH,
RADIUS PLATES



Force profile

The Astra 1001 door closer has a closing torque at 4° from the latch point of 8.75Nm.

The Astra 1002 door closer has a closing torque at 4° from the latch point of 12.25Nm.

Fixing

The Astra door closer should be fitted with a pair and half of ball bearing hinges and a good quality latching mechanism.

Performance of the product may be affected if not fitted correctly. Complete door kits are available.



CONCEALED DOOR CLOSERS

Astra Door Controls Ltd.,
Preston,
PR2 5AP England
Tel: +44 (0)870 850 8007
www.astradoorcontrols.com

Prime Line Products Inc.,
Redlands,
CA 92374, USA
Tel: 1-800 255 3505
www.gibcloser.com